

REPLACEMENT SHEET

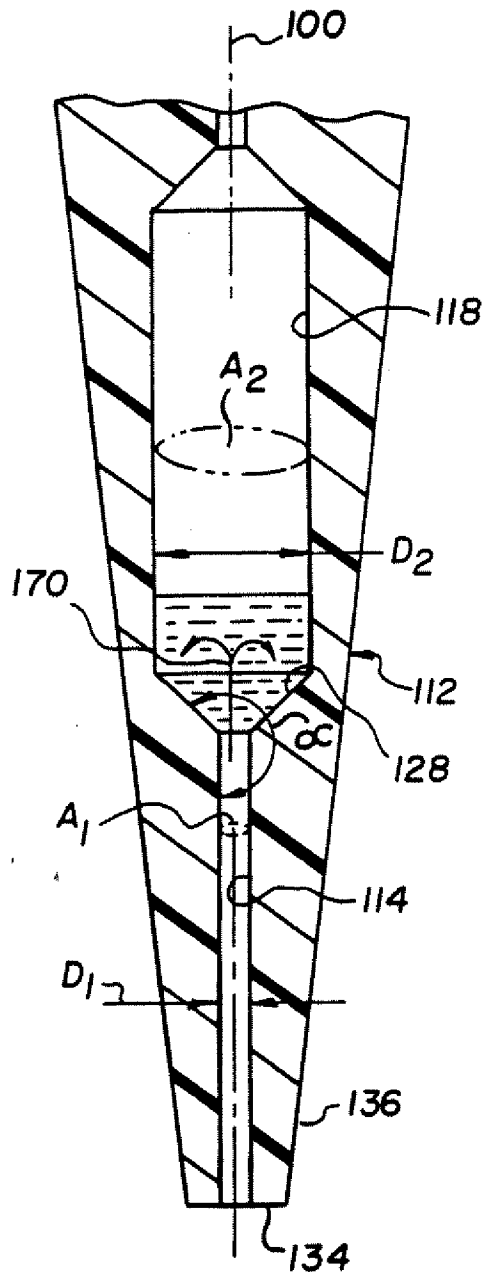


FIG. 3

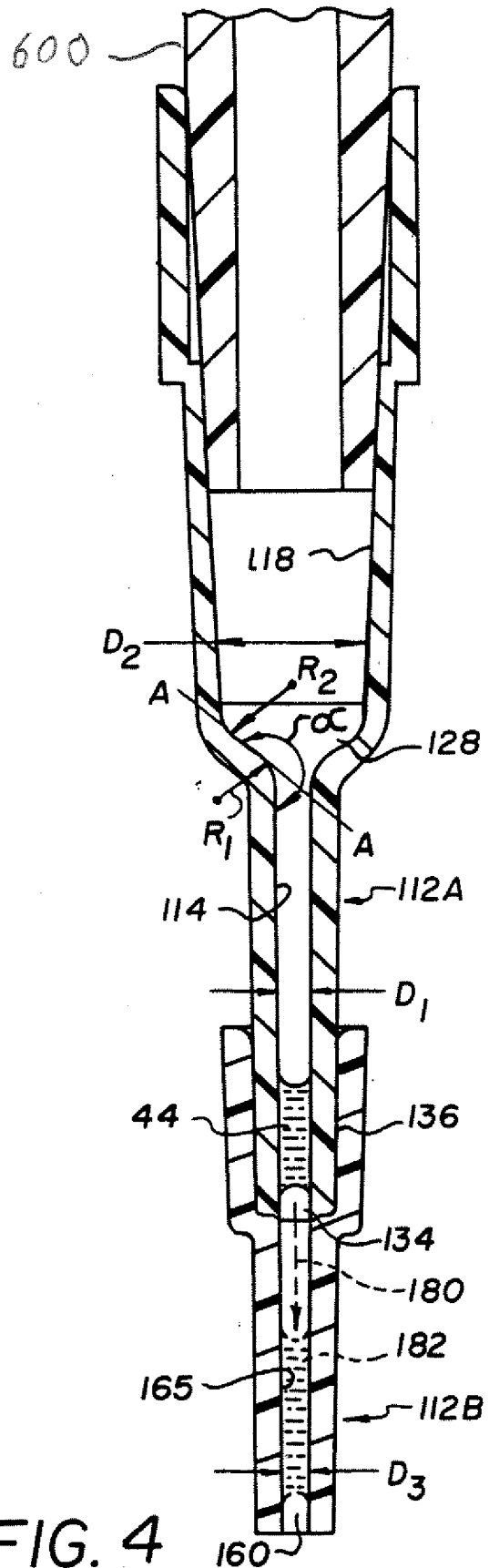


FIG. 4